

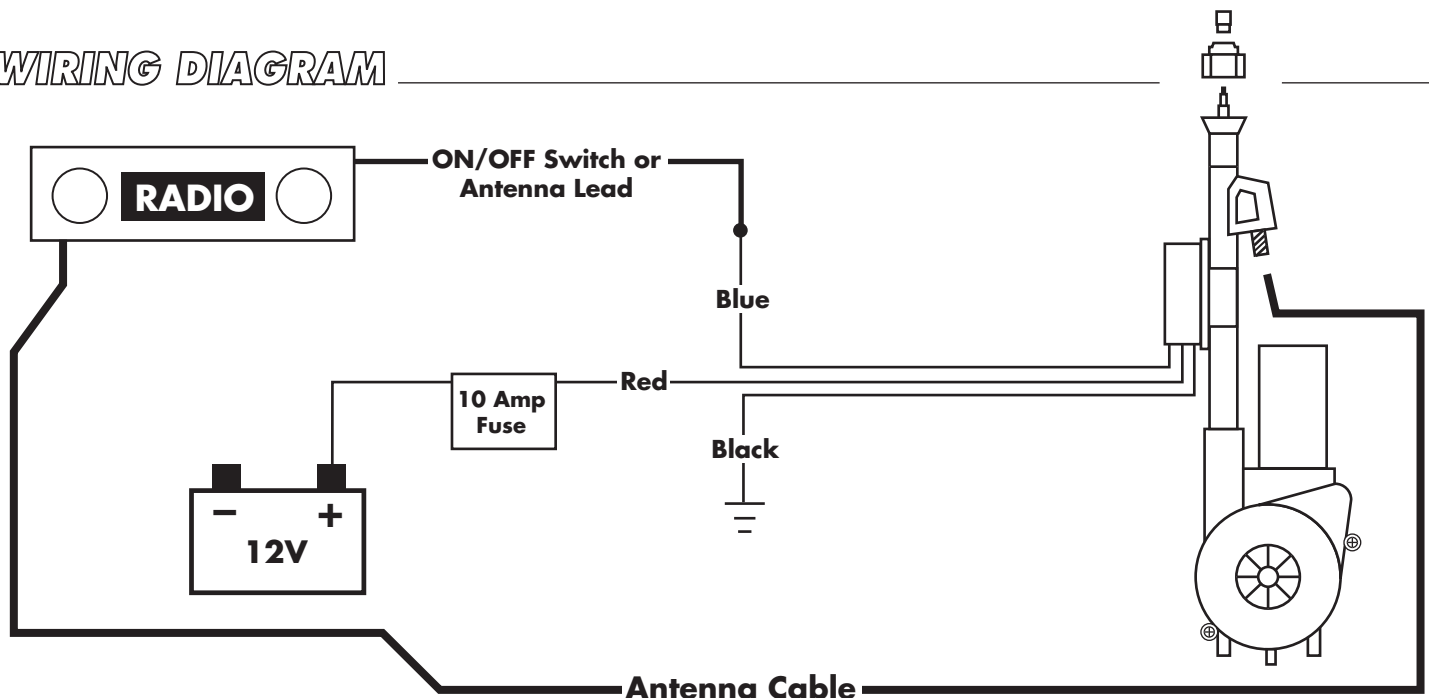
USER GUIDE AND INSTALLATION MANUAL FLUSH MOUNT ANTENNA

PACD

USER GUIDE

1. Unscrew all five pieces from the top of the power antenna. These pieces will not be used for the AutoLoc™ Flush Mount Antenna.
2. You must remove the original chrome tip. Use pliers to remove original tip, but avoid bending antenna while removing. Replace with new billet aluminum tip and secure with set screw. *NOTE: Antenna will have to be powered up first.*
3. Install threaded aluminum nut to the top of power antenna and allow the tip to stick out a small amount.
4. Determine location for AutoLoc™ Flush Mount Antenna. Confirm adequate space to mount power antenna.
5. Using provided brackets, mount antenna in a vertical position with aluminum tip just touching underside of sheet metal. Metal brackets may need to be bent or modified. (See figure 1)
6. At indicated spot, lightly center punch and drill an 1/8" hole. Increase sizes gradually to a final drill size of 7/16". Use masking tape to drill through if the sheet metal is already painted. *NOTE: When drilling hole, keep bit at 90° so tip will fit perfectly.*
7. Remount antenna so that aluminum tip is flush with surface. (See figure 2)
8. Tip may be sanded to the contour of the body panel and/or painted to match. (See figure 3)
9. Follow diagram below for proper wiring.
10. Once installation is complete, turn radio on and off so tip is in final off position. Tip should be completely flush with body panel. Aluminum nut can be adjusted for exact fit. (figure 4.)

WIRING DIAGRAM

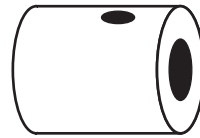


WIRING DIAGRAMS

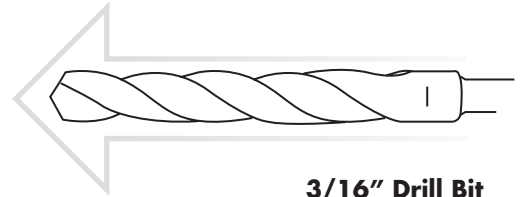


INSTALLATION TIP

If you are having difficulty fitting aluminum tip onto antenna shaft it may need to be drilled out. Be sure set screw is removed and secure the aluminum tip with a vise. Drill a 3/16" hole to where the existing hole resides.



Aluminum Tip



3/16" Drill Bit

MOUNTING UNIT

